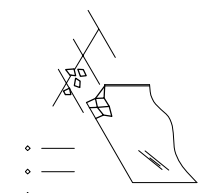
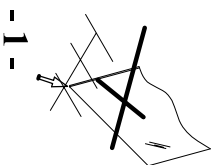
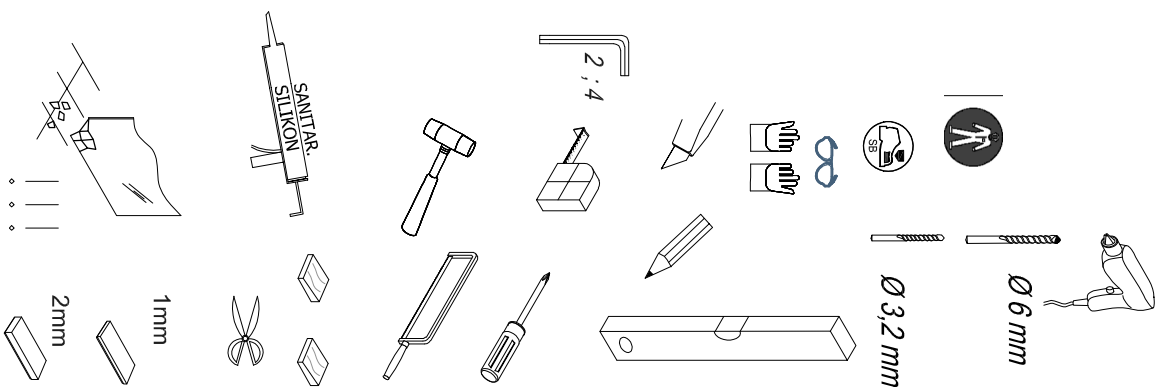
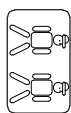
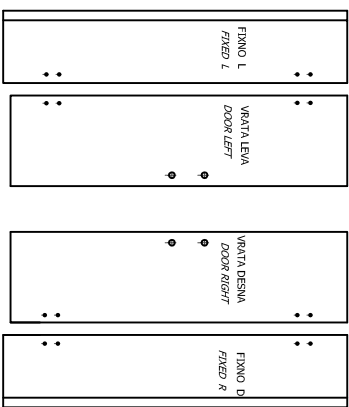
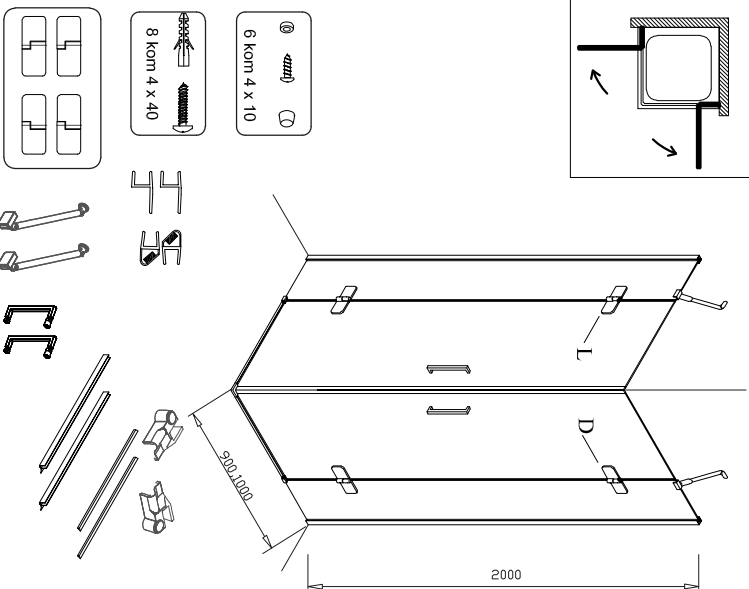
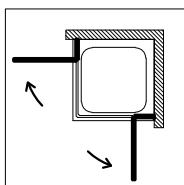
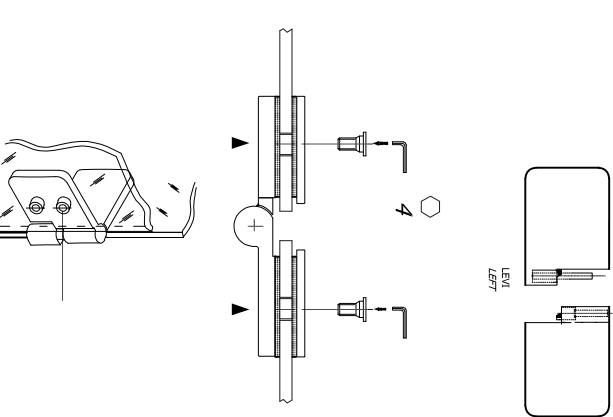
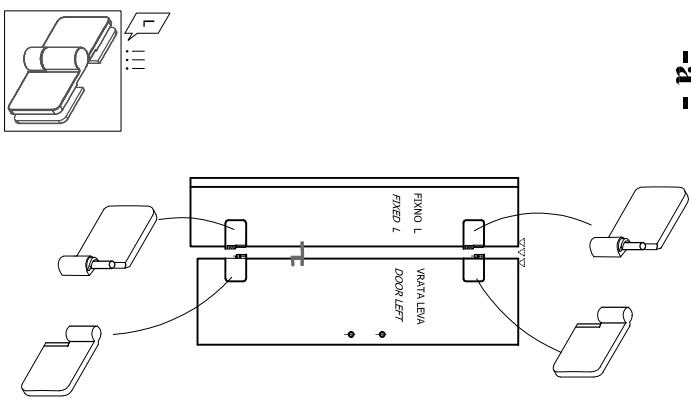


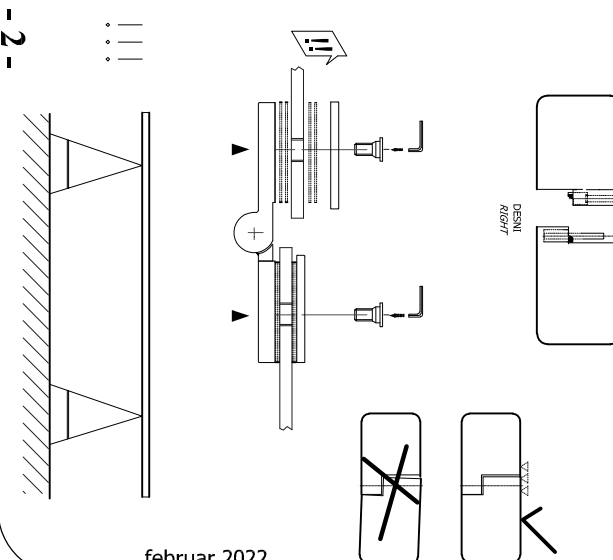
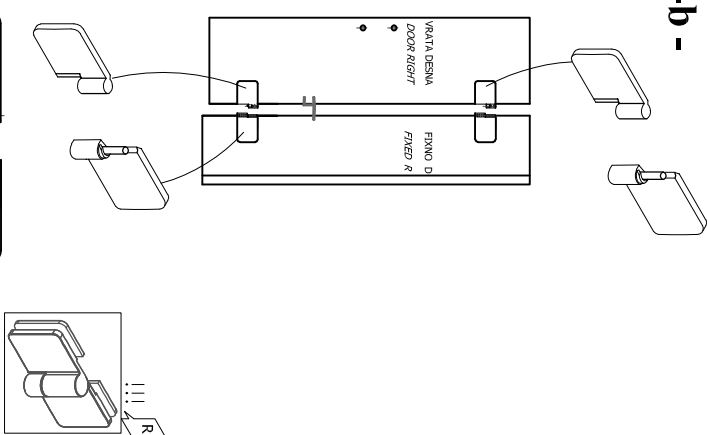
TKK 90	880-890	2000	695
TKK 100	980-990	2000	695



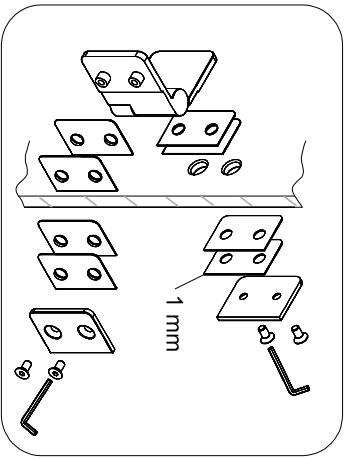
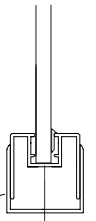
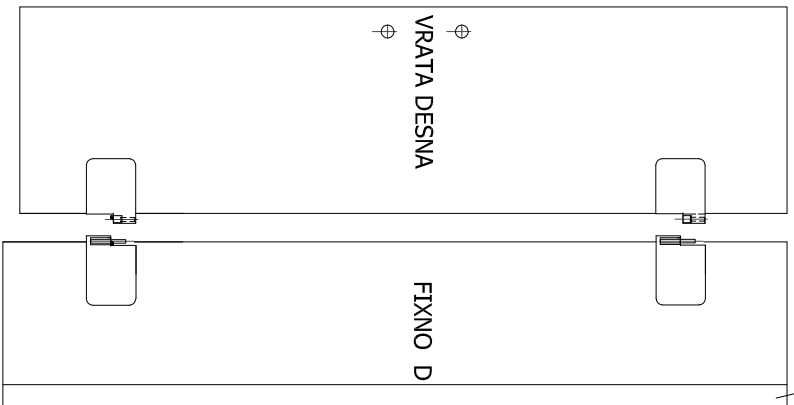
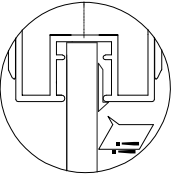
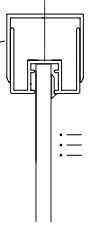
-a-



-b-

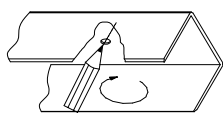
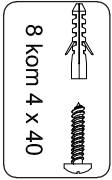
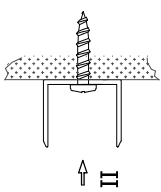
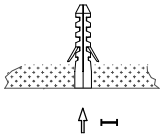
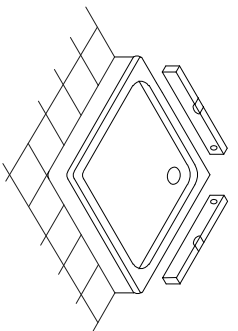


-c-

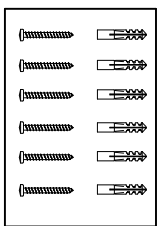


-3-

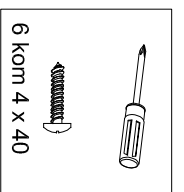
-d-



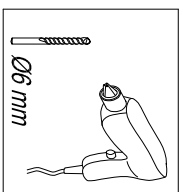
...



6 x



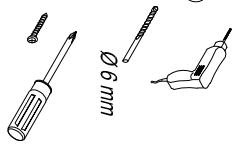
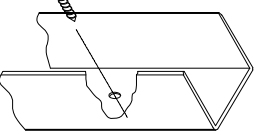
6 kom 4 x 40



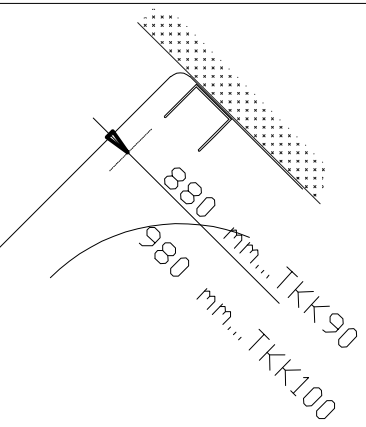
Ø6 mm



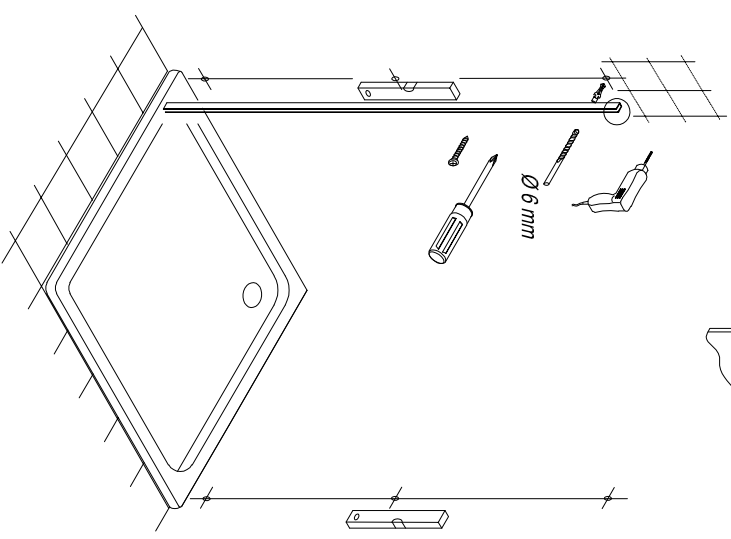
-e-



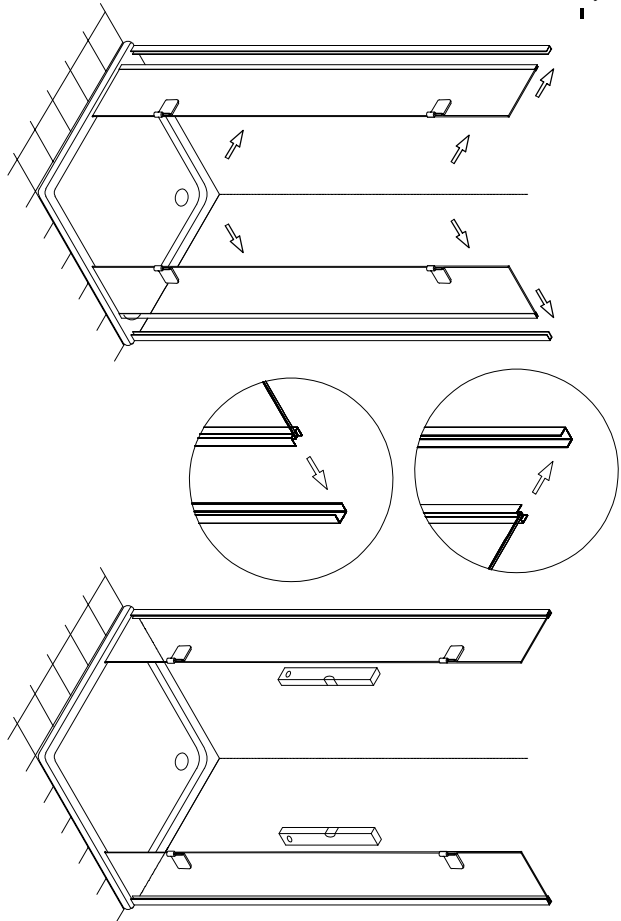
Ø6 mm



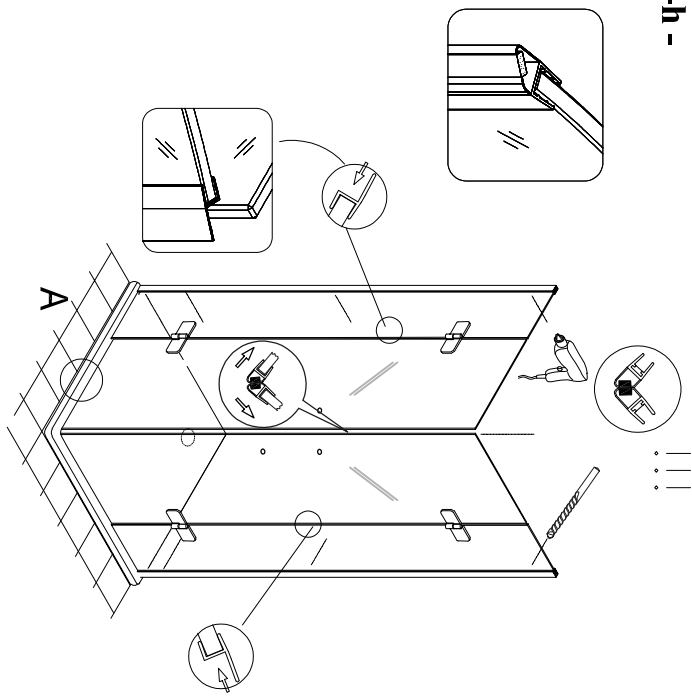
-4-



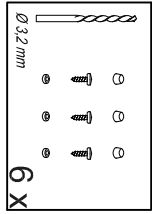
-f-



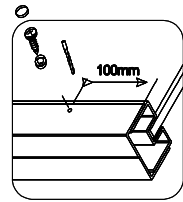
-h-



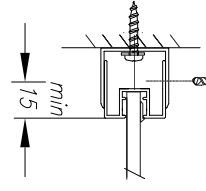
-i-



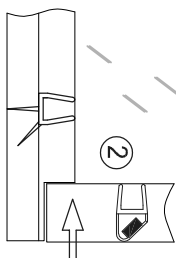
3 X 4 X 10  
6 X



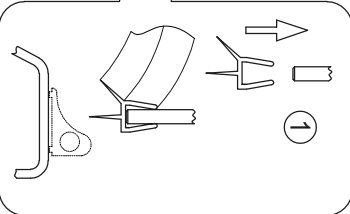
3.2 mm



min  
15

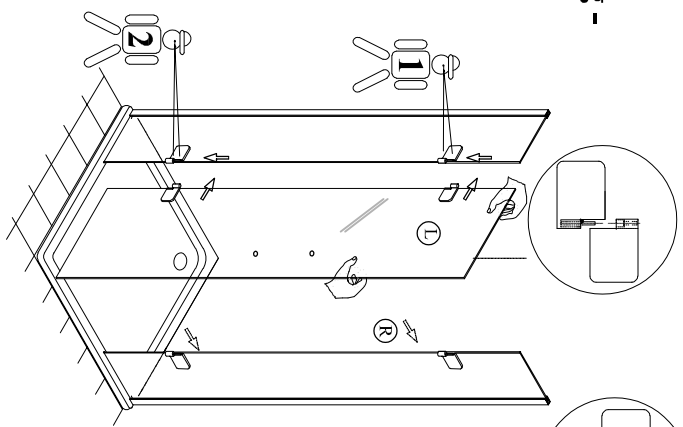


2

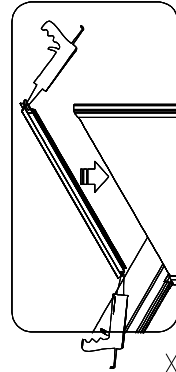
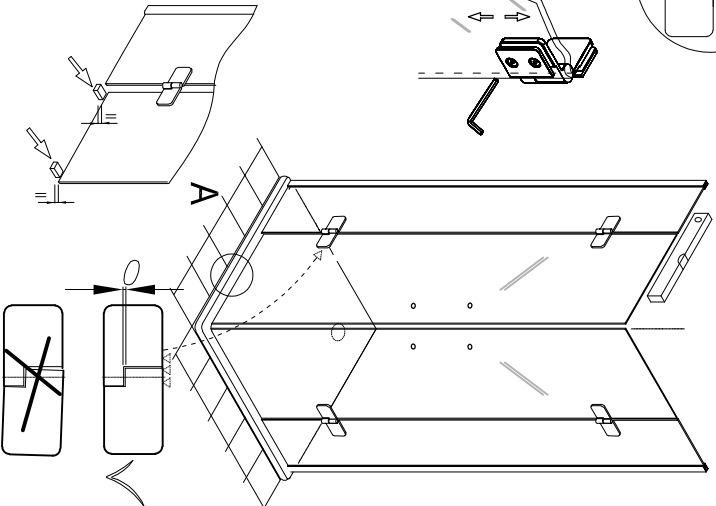


1

-g-

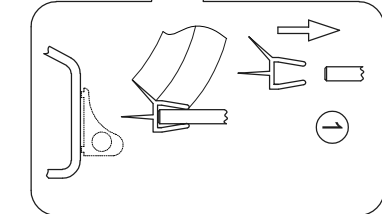


-5-

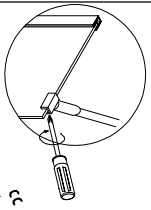
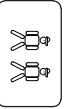


-6-

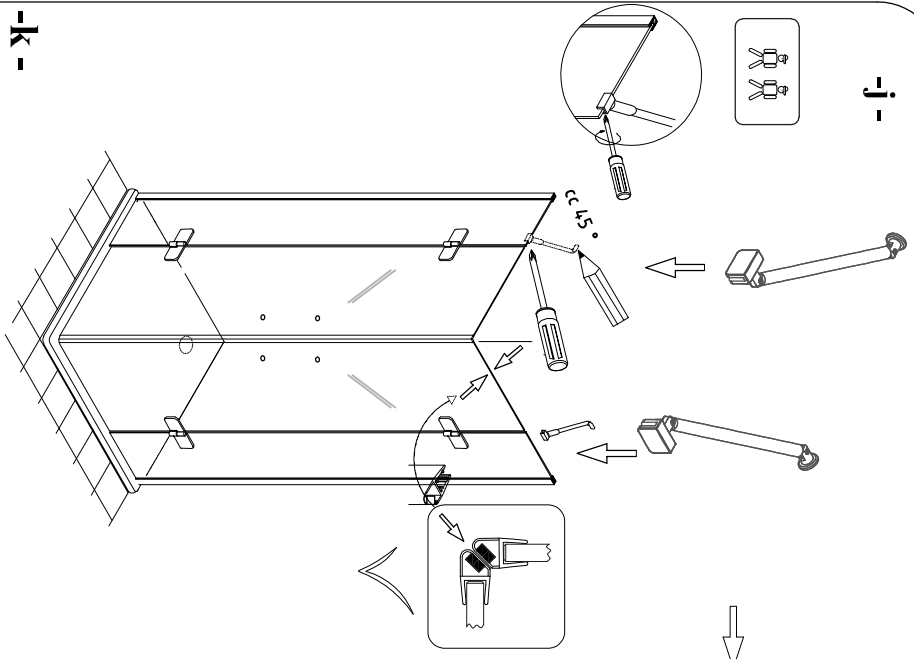
L:D



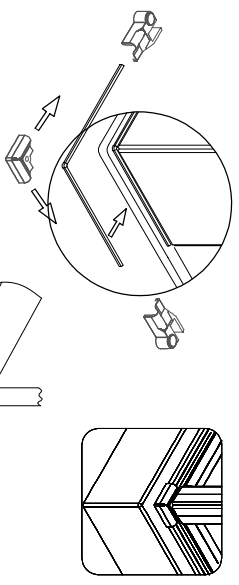
-j-



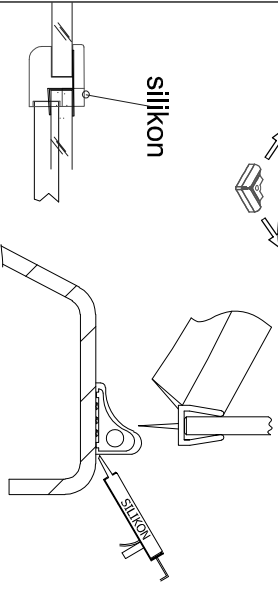
cc 45°



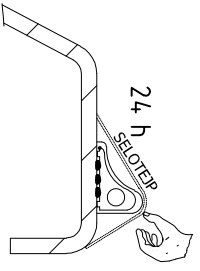
-k-



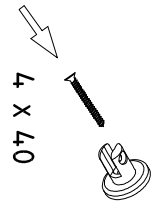
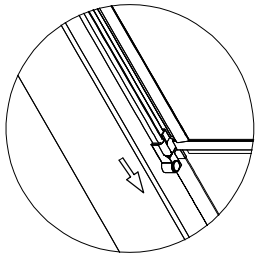
silikon



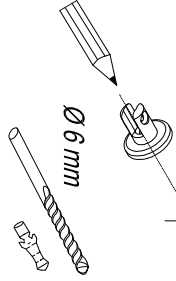
-7-



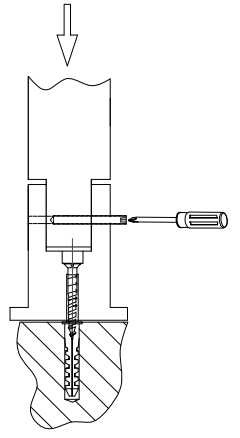
24 h  
SELOTEP



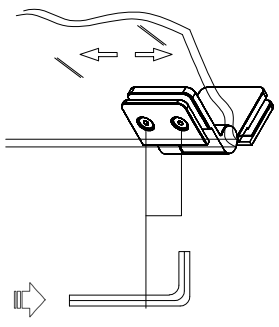
4 X 4.0



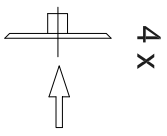
Ø 6 mm



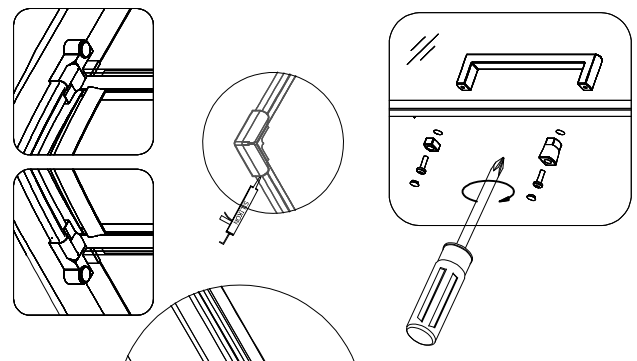
-1-



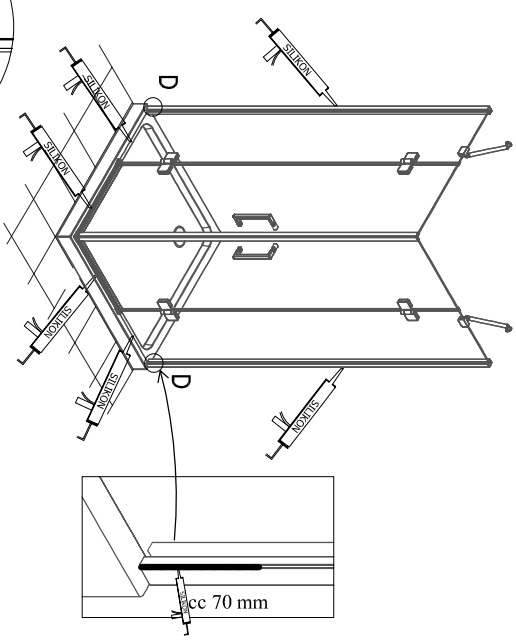
10 Nm



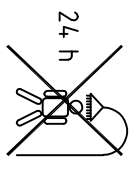
4 X



-8-

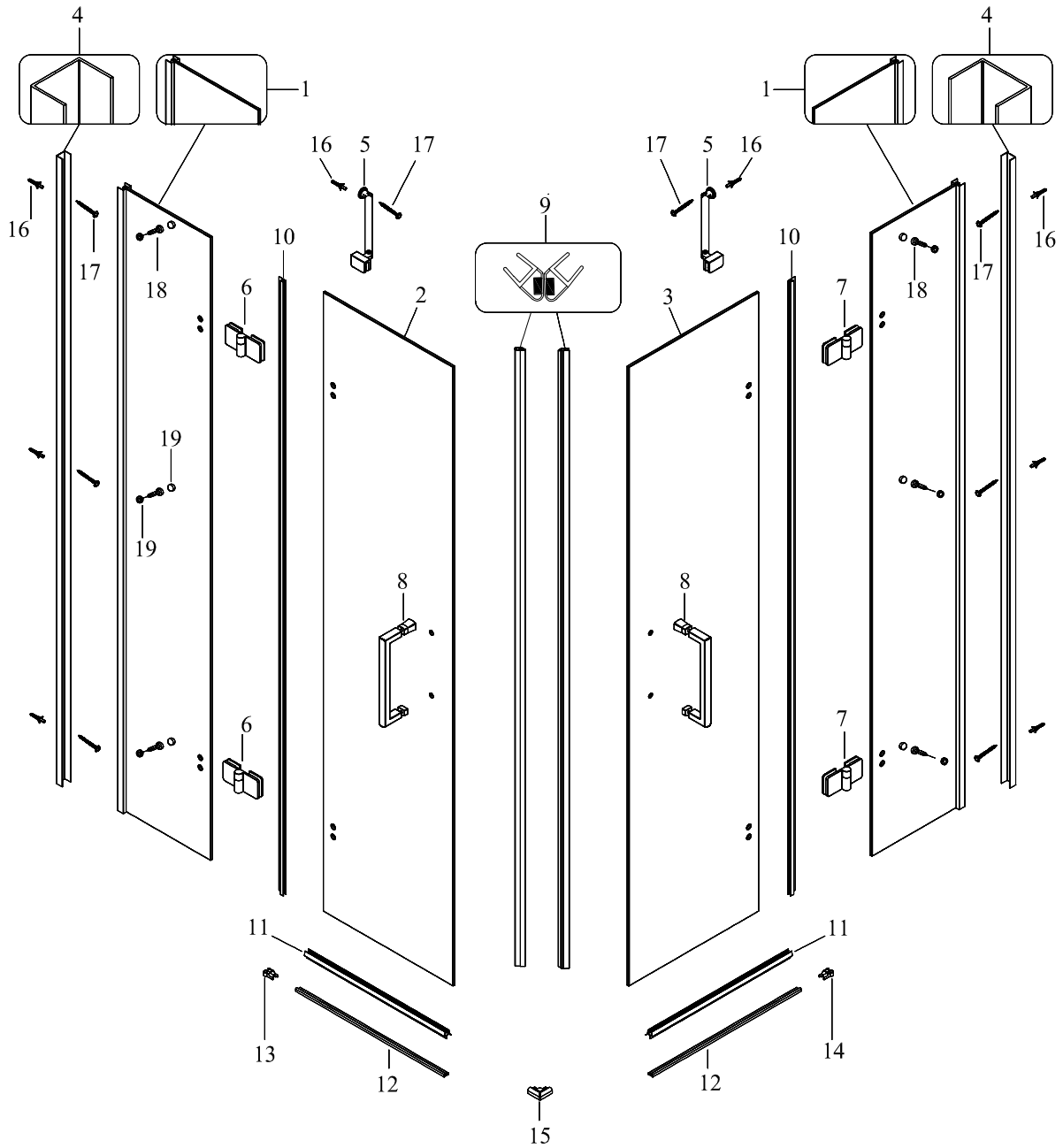


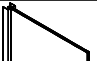


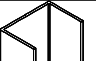
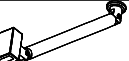



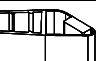






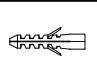
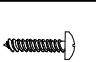


acc 70 mm



24 h

# TKK ATLAS



1		x2	2		x1	3		x1	4		x2	5		x2
6		x2	7		x2	8		x2	9		x2	10		x2
11		x2	12		x2	13		x1	14		x1	15		x1
16		x8	17		x8	18		x6	19		x6			